

# PHOTOCENTRIC CURE M+ INSTALLATION GUIDE

Photocentric  
CURE M+

Photocentric

UK - Cambridge House, Oxney Road, Peterborough, PE1 5YW. +44 1733 349937  
USA - 2205 West Parkside Lane, Phoenix, 85027, AZ. (623) 581-3220



[www.photocentricgroup.com](http://www.photocentricgroup.com)

Photocentric  
CURE L2

Revision 1  
19/05/2021

## PHOTOCENTRIC CURE M+ INSTALLATION GUIDE

### 1. Introduction to Cure M+

Recognising the essential parts of the Cure M+ will increase the efficiency of use and aid if the need to troubleshoot ever appears.

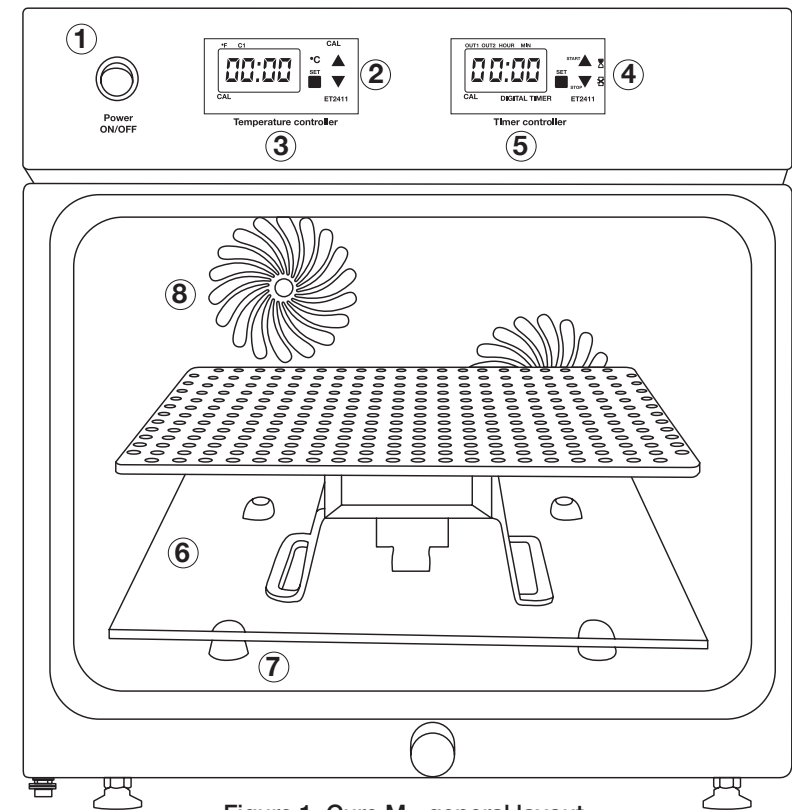


Figure 1: Cure M+ general layout

- |                          |                   |
|--------------------------|-------------------|
| 1 On/Off Switch          | 6 Glass platform  |
| 2 Temperature adjustment | 7 Platform stands |
| 3 Temperature Display    | 8 Internal vents  |
| 4 Time adjustment        | 9 UV Light        |
| 5 Time display           |                   |

## 2. Suitable location

When choosing a suitable location for your Photocentric Cure M+, allow plenty of space for ventilation and heat dissipation, as the Cure M+ can reach up to 65°C inside, (see Figure 2 and Figure 3). All diagrams have dimensions in millimetres unless otherwise stated. Consider the ergonomics of operating the cure unit.

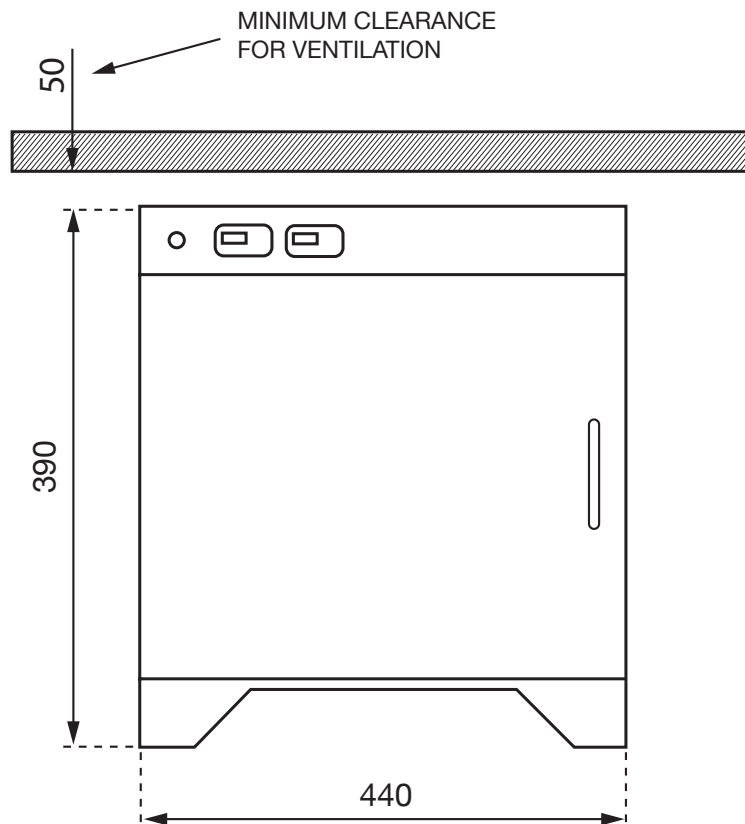


Figure 2: Cure M+ space requirements, front view

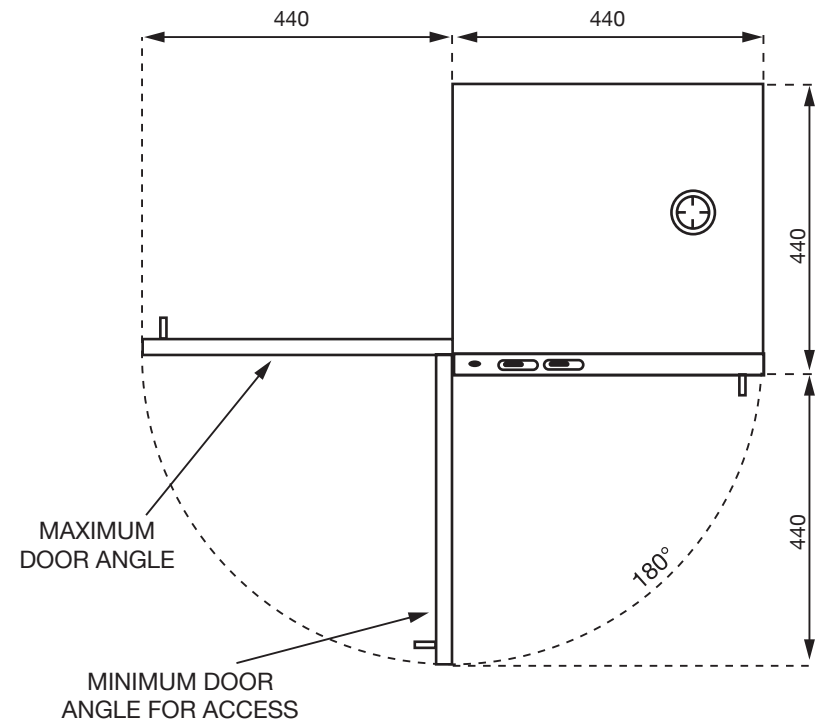


Figure 3: Cure M+ space requirements, plan view

### 3. Unboxing & Placing Cure M+

Remove the outer packaging and recycle.

Carefully consider how to lift and move your Photocentric Cure M+. Allow plenty of space to work and remove any potential obstructions. Two people will be required to lift the Photocentric Cure M+ as it weighs 20 kg. Use safety gloves with a secure grip surface to prevent slipping. Ensure everybody involved is comfortable lifting the weight. Follow safe lifting practice.

Keep the cure unit stable at all times. Always use Photocentric Cure M+ in a well ventilated area (See, 2 – Suitable Location).

### 4. Power requirements

- Photocentric Cure M+ requires a mains power supply with a voltage of 220 VAC - 240V AC and a frequency of 50 Hz - 60 Hz. It has a power consumption of 1000 W.
- It will draw a current of 7-10 A when connected to a 240 VAC supply, or 9 A when connected to a 220 VAC supply.
- Only connect Photocentric Cure M+ to the mains socket using the power cable supplied.
- Always plug the power cable into the mains socket and the cure unit before switching on the power at the mains socket.
- Similarly, always switch off the power at the mains socket before unplugging the power cable from either the cure unit or the mains socket.
- The cure unit power socket is on the back of the machine on the right side. The power switch is on the front of the machine, at the top left (Figure1-1).

### NOTES

---

---

---

---

---

---

---

---

---

---

---

---

---

---

---

---

---

---

---

---

---

---

---

### Technical support

For any technical support queries, please contact the Service and Support team on below email addresses based on your location:

European and Asia Pacific Customers

[support@photocentric.co.uk](mailto:support@photocentric.co.uk)

North and South American Customers

[3Dsupport@photocentricusa.com](mailto:3Dsupport@photocentricusa.com)

### Contact for further enquiries

[info@photocentric.co.uk](mailto:info@photocentric.co.uk)

Cambridge House, Oxney Road, Peterborough, PE1 5YW

[www.photocentricgroup.com](http://www.photocentricgroup.com)