

Photocentric

UK

Cambridge House, Oxney Road
Peterborough PE1 5YW UK.
info@photocentric.co.uk
www.photocentricgroup.com

USA

2205 West Parkside Lane, Phoenix,
85027, AZ USA
www.photocentricgroup.us

Disposal instructions

Do not throw this electronic device into the waste when discarding. To minimize pollution and ensure utmost protection of the global environment, please recycle or return to Photocentric for recycling.



Certifications:

CE Certified
WEEE approved
FCC approved



Manufacturer

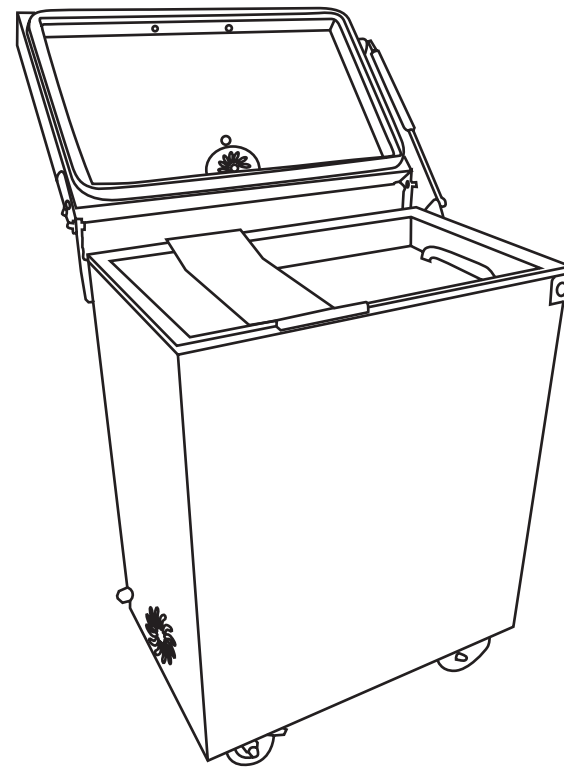
Photocentric Ltd
Cambridge House, Oxney Road
Peterborough, PE1 5YW, UK
Year of CE Marking: 2020

Photocentric
Air Wash L

USER MANUAL

Photocentric
Air Wash L

Thank you for purchasing the Photocentric Air Wash L, Please read all of this instruction manual to ensure you are operating this machine correctly and safely. If there is any damage to the wiring or machine please do not connect it to the power supply, instead contact Photocentric on: info@photocentric.co.uk and a member of our team will get back to you.



Safety warnings



All cleaning tanks should be handled with care to ensure maximum performance. Please read this user manual before using your Air Wash cleaner:

- Ensure power is disconnected before attempting to add or remove fluid.
- If pouring fluid away, pour away from the electrical socket on the rear control panel.
- Do not let items rest on the bottom of the tank, always use the basket and the bracket.
- When submerging parts ensure fluid is not displaced out of the tank.
- Never change the fuse for a higher rated one.
- Do not use the product if it is in an unstable condition i.e. susceptible to fire or explosion

We recommend keeping your Photocentric Air Wash L away from the below conditions:

- High humidity
- Unpredictable fluctuating temperatures, too hot or too cold conditions can affect the functionality and lifespan of the machine.
- Non-stable surfaces
- Corrosive gases
- Loose chemicals, oils and water (not including the cleaner currently being used)
- Where explosives or unstable chemicals are stored

Product & Accessories

Photocentric AirWash L unit includes the below items:

- Basket
- Power cable
- Instruction manual
- Bracket

Product Operation – Cautions

Please read and follow the guidelines provided whilst operating this machine - if these are not adhered to, they can cause damage to your machine and may invalidate your warranty. Before starting the machine ensure that:

- All buttons and switches are turned off
- Cleaner is present in the tank up to maximum level
- No liquid has splashed on the electronic parts of the machine
- The power supply is earthed and grounded
- The machine is not moved whilst in use

Product Operation

Setting up AirWash L for the first time

Step 1

Open the lid. Lift out the print bed support bracket and the basket. Please note that the basket has a longer stand on the left-hand side to keep the basket level in the tank.

Step 2

Fill the tank with Photocentric Resin Cleaner to maximum.



Step 3

Plug the machine into the mains supply socket (do not hard wire this machine into the mains supply without a suitable cut-off switch)

Step 4

Place the basket inside the unit

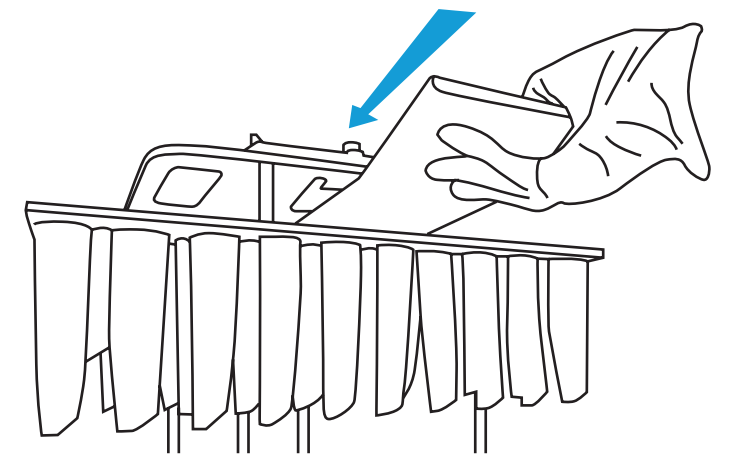
Using Air Wash L

Step 1

Make sure the lid is left open before bringing the platform to the Air Wash.

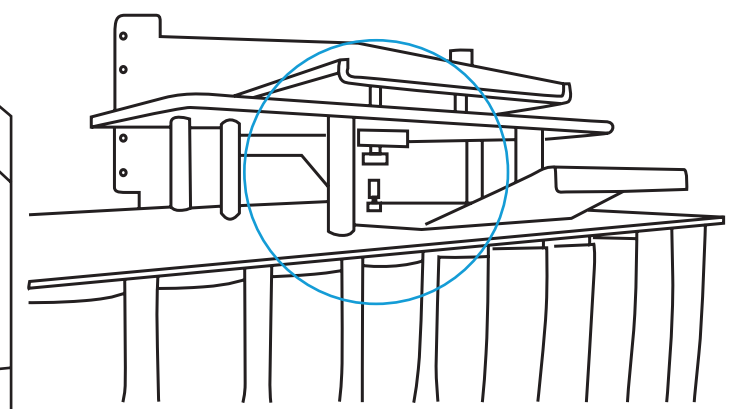
Step 2

Take the bracket to your LC Magna printer and slide the bracket under the platform location plate.



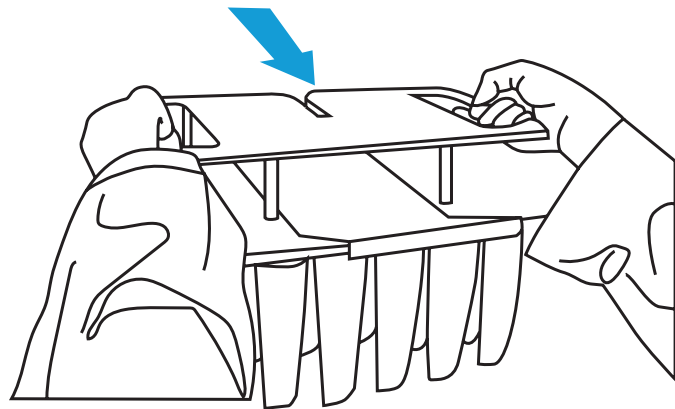
Step 3

Try to centralise the bracket pin to middle of platform.



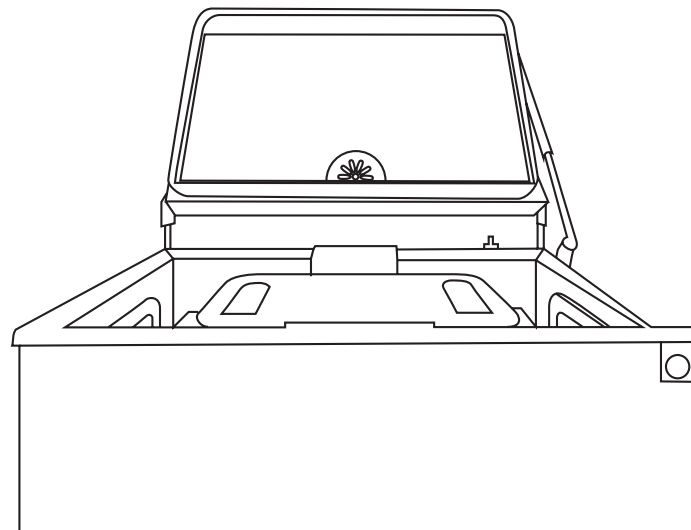
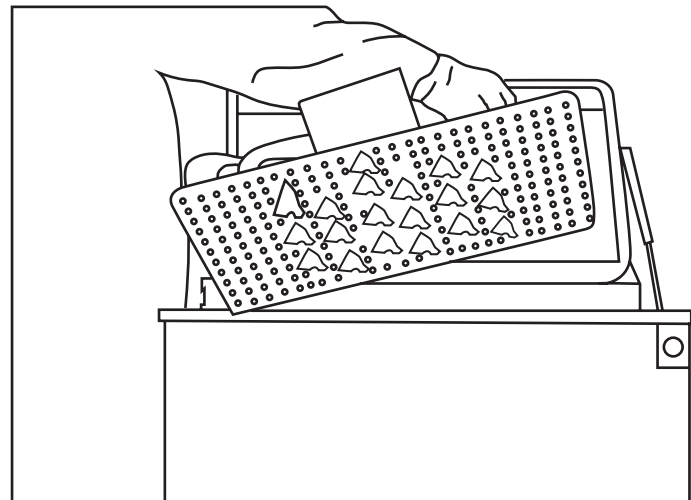
Step 4

Remove the platform the usual way, loosening the central knob and holding the handles.



Step 5

Carefully lower the platform and prints into the tank and locate the support bracket on the front and rear tank lips.



Step 6

Close the lid. Please note that the machine will not start if the lid is open.

Step 7

Press the start button to start the machine.

Step 8

Run the machine for the required time appropriate to your resin (Note: Please check the resin TDS to ensure the correct cleaning time)

Step 9

Open the lid, lift out the platform and take it to a nearby sink.

Step 10

Remove the bracket and rinse the resin cleaner off the print with warm water prior to post curing your print.

Maintenance

- To clean the tank simply connect a suitable pipe to the drain valve and allow the used chemicals to flow into a suitable container for disposal. Note the drain valve inner diameter is 30mm and recommended materials for the pipe can be EPDM, EPM, NR.
- You will see that the tank has a slope to the left to collect all the debris in the tank scoop this up for safe disposal
- If you have a build-up of resin on the air bars, using a 14 mm spanner undo the 2 nuts holding the assembly to the tank. Then remove the assembly and clean. Re-fit in reverse ensuring that the holes are facing down.