

Photocentric

UK Titan House, 20 Titan Drive, Peterborough, PE1 5XN  
USA Avondale 107 - Building 'A' 855 N. 107th Ave., Suite A110, Avondale, Arizona 85323



[www.photocentricgroup.com](http://www.photocentricgroup.com)

Photocentric  
CURE L2

Revision 4  
09/12/2022

## PHOTOCENTRIC CURE L INSTALLATION GUIDE

### 1. Cure L at a glance

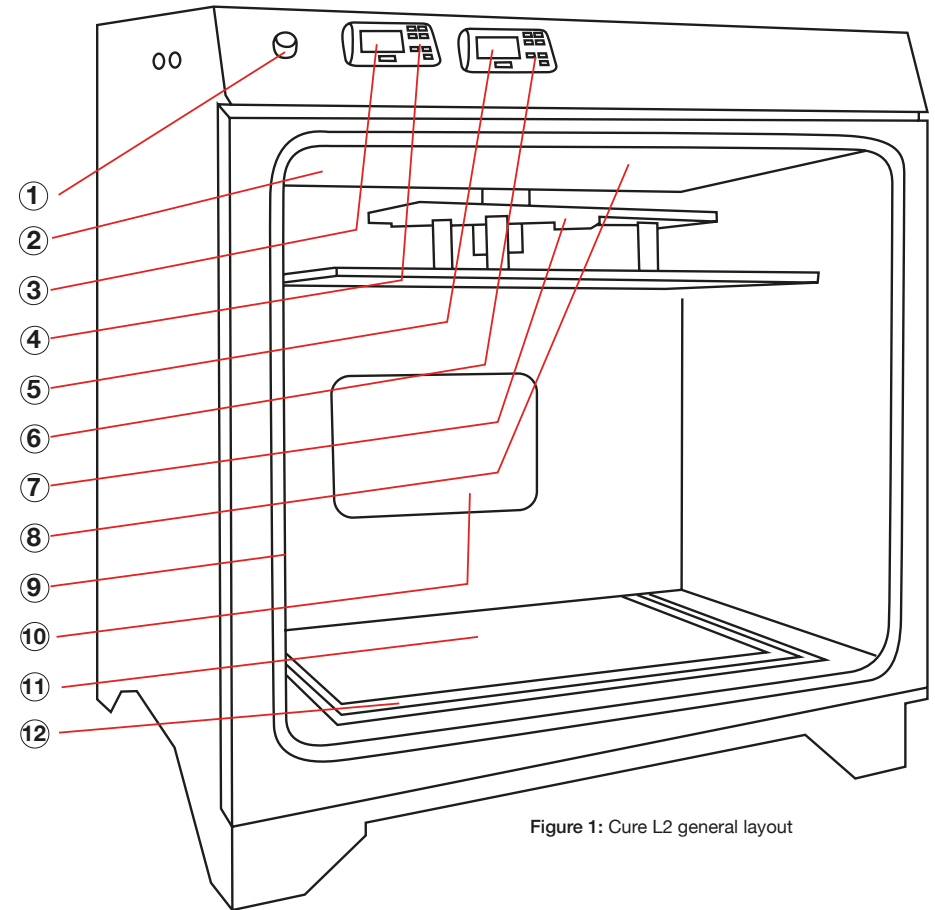


Figure 1: Cure L2 general layout

- |                          |                    |                 |
|--------------------------|--------------------|-----------------|
| 1 On Off switch          | 5 Timer controller | 9 Door seal     |
| 2 Internal fan           | 6 Timer adjustment | 10 Rear light   |
| 3 Temperature unit       | 7 Hanging bracket  | 11 Bottom light |
| 4 Temperature adjustment | 8 Heater unit      | 12 Glass shelf  |

## 2. Suitable location

When choosing a suitable location for your Photocentric Cure L2, allow plenty of space (see Figure 2 and Figure 3). All diagrams have dimensions in millimetres unless otherwise stated. Consider the ergonomics of operating the cure unit.

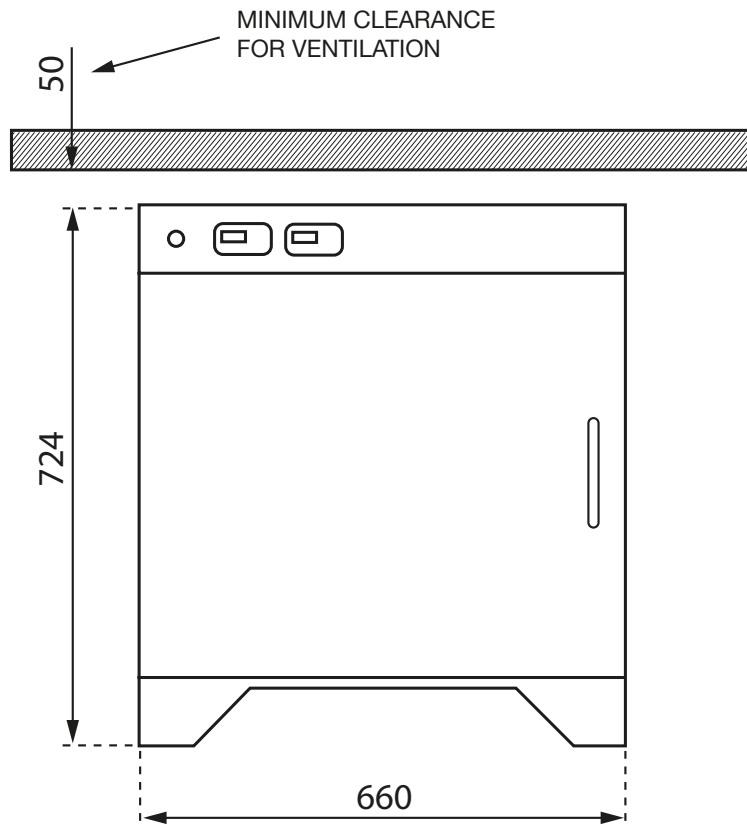


Figure 2: Cure L2 space requirements, front view

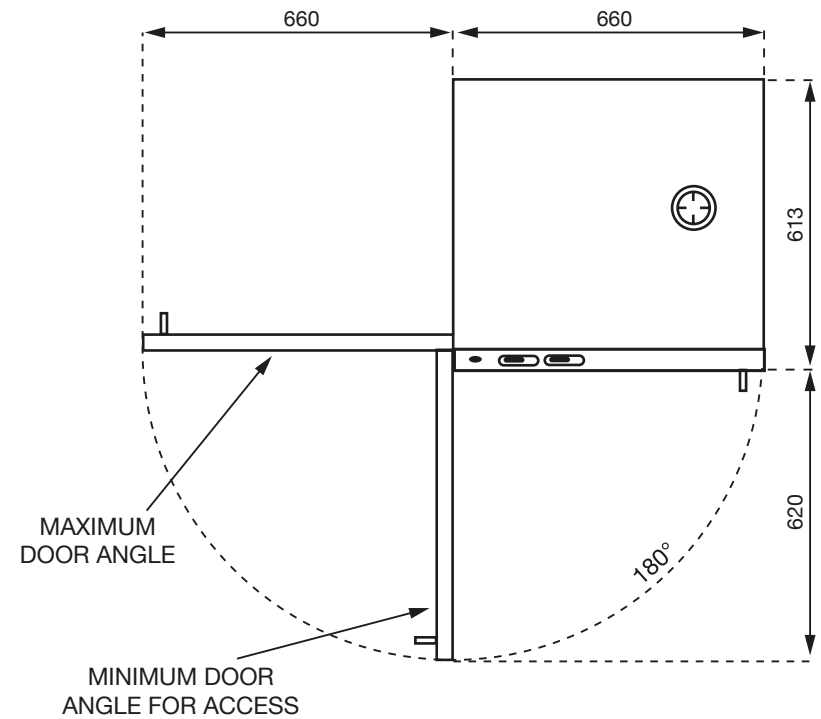


Figure 3: Cure L2 space requirements, plan view

### 3. Unboxing & Placing Cure L

Remove the outer packaging and recycle it.

Photocentric Cure L2 weighs 64 kg. Carefully consider how it will be lifted into position. Allow plenty of space to work and remove any potential obstructions. Four people will be required to lift Photocentric Cure L2, one at each corner. Use safety gloves with a secure grip surface to prevent slipping. Ensure everybody involved is comfortable lifting the weight. Follow safe lifting practice.

Keep the cure unit level and stable at all times. Always use Photocentric Cure L2 in a well ventilated area.

### 4. Power requirements

- Photocentric Cure L2 requires an earthed mains power supply with a voltage of 100VAC – 240VAC and a frequency of 50 Hz – 60 Hz. It has a power consumption of 1000 W.
- It will draw a current of 4 A when connected to a 240 VAC supply, or 9 A when connected to a 100 VAC supply.
- Only connect Photocentric Cure L2 to the mains socket using the power cable supplied.
- Always plug the power cable into the mains socket and the cure unit before switching on the power at the mains socket.
- Similarly, always switch off the power at the mains socket before unplugging the power cable from either the cure unit or the mains socket.
- The cure unit power socket is on the back of the machine on the right side. The power switch is on the front of the machine, at the top left(Figure1-1).

### NOTES

---

---

---

---

---

---

---

---

---

---

---

---

---

---

---

---

---

---

---

---

---

---

---

---