

PHOTOCENTRIC AIR WASH L INSTALLATION GUIDE

Photo**centric**
Air Wash L

Photo**centric**

UK Titan House, 20 Titan Drive, Peterborough, PE1 5XN
USA Avondale 107 - Building 'A' 855 N. 107th Ave., Suite A110, Avondale, Arizona 85323



www.photocentricgroup.com

Photo**centric**
Air Wash L

Revision 4
09/12/2022

PHOTOCENTRIC AIR WASH L INSTALLATION GUIDE

1- Air Wash L at a glance

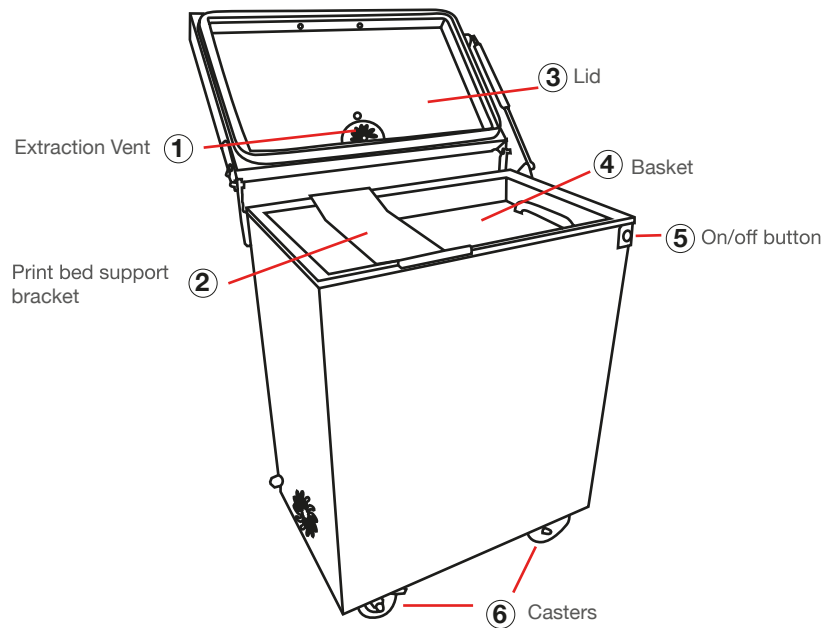


Figure 1. Air Wash L

The tank is built in stainless steel and holds 90 l (24 US gallon) chemicals and works with an internal air flow of 40 l/min at a pressure of 160 mbar (2.3 psi)

2. Suitable location

When choosing a suitable location for your Photocentric Air Wash L, choose a flat stable location with enough space for the unit (see dimensions in Figure 2) and leave extra room over the unit to allow opening the lid. Consider the ergonomics of operating the wash unit.

The installation location should have an operating temperature in the range 18-28 °C. Moreover, a low-light or red lighted work environment is recommended, as Daylight resins will cure in ambient white light. Always avoid direct sunlight. This is especially recommended when handling unwashed platforms and parts.

Always use Photocentric Air Wash L in a well-ventilated area and consider vicinity to extraction duct.

To connect the Air Wash L to extraction, use a screwdriver to open the vent on the top of the unit and fasten a 4-inch spigot, which can be linked to the extraction duct. The spigot should be purchased separately, (as a reference, please see <https://www.blauberg.co.uk/en/metal-il-spigot-take-off-flange>).

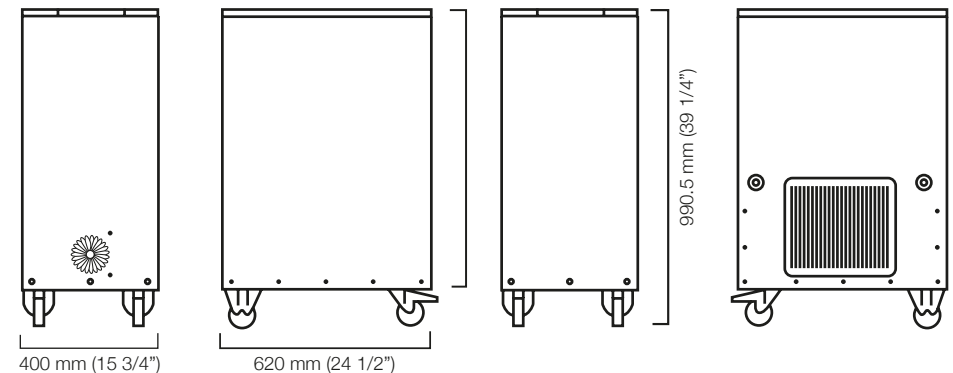
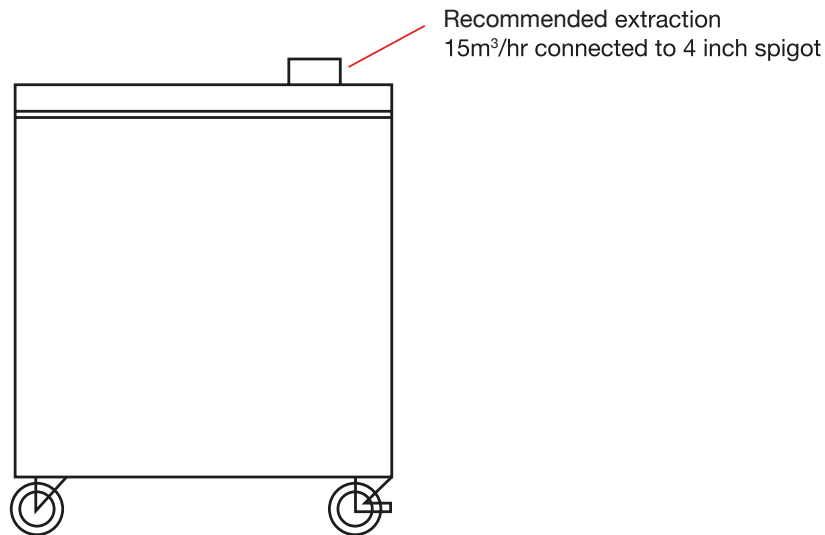


Figure 2: Air Wash L dimensions



3- Unboxing & Placing Air Wash L

Photocentric Air Wash L is packed in a cardboard enclosure. Please do not lift the unit, as it weighs 56 kg (124 lbs). To unbox Air Wash L, remove the plastic packaging and remove the cardboard sleeve covering the unit. Check that the caster brakes are inactive, carefully slide the unit out of the cardboard base, on its casters, and place it on the desired location. Two people are recommended for this operation. Use safety gloves with a secure grip surface to prevent slipping.

Once satisfied with the location, press caster breakers to ensure stability of the unit while operating.

4. Power requirements

- Photocentric Wash 15 requires an earthed mains power supply with a voltage of 100-120VAC- 60Hz or 200-240VAC- 50Hz (depending on the unit).
- Air Wash L power consumption is rated at 35-45 watts.
- Only connect Photocentric Air Wash L to the mains socket using the power cable supplied.
- The wash unit power cable is on the right-hand side of the machine.
- Always plug the power cable into the mains socket and into the wash unit before switching on the power at the mains socket.
- Similarly, always switch off the power at the mains socket before unplugging the power cable from either the wash unit or the mains socket.
- The wash unit power cable is on the right-hand side of the machine.

Technical support

For any technical support queries, please contact the Service and Support team on below email addresses based on your location:

European and Asia Pacific Customers
support@photocentric.co.uk

North and South American Customers
3Dsupport@photocentricusa.com

Contact for further enquiries

info@photocentric.co.uk

Cambridge House, Oxney Road, Peterborough, PE1 5YW

www.photocentricgroup.com

